



MILTECH™ 306

An IP68 Military USB Hub

PRODUCT DESCRIPTION

The MILTECH306 is a small size, IP68 rugged construction, USB hub, offering 7+1 USB 2.0 ports. The portable rugged USB hub is an ideal solution for command post, man packable applications based on USB systems and devices. All ports are plug-n-play, providing network connectivity for most portable USB devices, including:

- Helmet-mounted heads-up displays
- Rugged computers
- Navigation devices
- Communications systems
- IP-based sensors
- Battlefield communication C5ISR

With the best combination of size, weight, power and cost (SWaP-C) in the industry, the MILTECH306 reduces load on the soldier, providing more space for equipment

that increases effectiveness and survivability.

The MILTECH306 is available in two versions. The VBUS powered version is powered by the computer connected to the upstream port. The external power version uses an external power supply to power the hub. MILTECH306 can provide 5VDC 2 Amp power to any external device connected to downstream ports #2 and port #3 in the external power version.

The unit's mechanical packaging enhancements, including ruggedized SCE2 circular connectors, is designed for MIL-STD-810F airborne and ground environmental compliance and high reliability. Leveraging best-in-class technology, the MILTECH306 serves as a robust commercial off-the-shelf (COTS) solution for rugged USB connectivity.

SPECIFICATIONS

ETHERNET PORTS:	• 1+7 USB 2.0 Hub with 8 dedicated ports
NETWORKING:	• Full wire-speed forwarding rate
CONNECTORS:	• Connectors Type: SCE2-B-76A06-075N-001
CHASSIS:	<ul style="list-style-type: none"> • Low profile rugged machined aluminum • Conductively cooled • Ingress protection against sand, dust and moisture • Anodize Coating, MIL-A-8625, Type II, Class 2
STANDARDS:	• MILSTD-461E, MILSTD-810F/G/GM, IP68



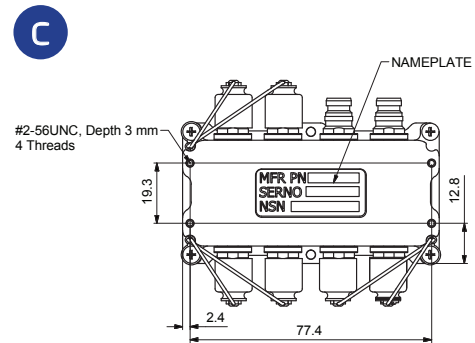
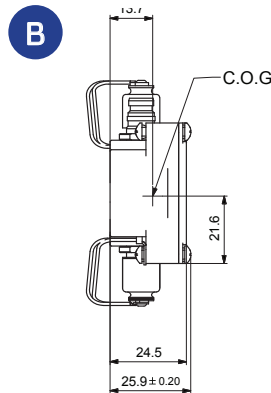
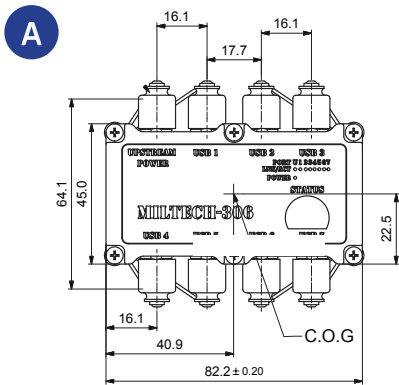


MILTECH™ 306

An IP68 Military USB Hub

SPECIFICATIONS

PERFORMANCE:	<ul style="list-style-type: none"> • 1 upstream USB 2.0 • 7 downstream USB 2.0 (including 2 High Power ports) • Up to five cascaded hubs • Maximum cable length between each hub: 5m • Up to 127 devices • Per port LED indication
STANDARDS COMPLIANCE:	<ul style="list-style-type: none"> • USB specification version 2.0 1 (data rates of up to 480 Mbps) • USB specification version 1.1 (data rates of up to 12 Mbps) • OHCI, UHCI, VEHCI
POWER:	<ul style="list-style-type: none"> • Voltage Input: 5Vdc Nominal - Optional USB Sourcing • Power Consumption: 2W Typical up to 16.25W with external Power supply • Chassis grounding
ELECTROMAGNETIC:	<ul style="list-style-type: none"> • MIL-STD-461E Electromagnetic compatibility • CE-102, CS-114, CS-115, CS-116, RE-102, RS-103
ENVIRONMENTAL:	<ul style="list-style-type: none"> • MILSTD-810F/G/GM: • Random vibration (514.5), Bench Handling (516.6V), High Temp.(501.5I,II), Low Temp.(502.5I), Humidity (507.5II), Air Pressure (500.5I,II), Blowing Rain (506.5I), Immersion (512.5I), Salt Atmosphere (509.5I), Blowing Dust (510.5I), Loose Cargo Vibration (514.6II), Wind Analysis. • IP68
PHYSICAL:	<ul style="list-style-type: none"> • Dimensions: 82.2mm (L) x 64.1(W) x 26(H), Not including connector Dust Caps • Weight: 140g - including dust caps
INSTALLATION:	<ul style="list-style-type: none"> • Portable, 4 screws for mounting to any flat surface.
COOLING:	<ul style="list-style-type: none"> • No Moving Parts. Passive Cooling
OPERATING TEMP:	<ul style="list-style-type: none"> • -45°C to +85°C (-49°F to +185°F) - Cold Start-Up
STORAGE TEMP:	<ul style="list-style-type: none"> • -45°C to +85°C (-49°F to +185°F)





MILTECH™ 306

An IP68 Military USB Hub

ORDERING INFORMATION

PART NUMBER	DESCRIPTION
1-306-002	8 Ports USB HUB
2-CBL306USBDO	Downstream harness 1 x SCE connector to 1 USB connector 3 meter length
2-CBL306USBPODO	Downstream harness with high power output 1x SCE connector to 1x USB connector and 2 wires for power out
2-CBL306USBPIUP	USB down stream + power output Harness for MILTECH306 SCE connector to USB female